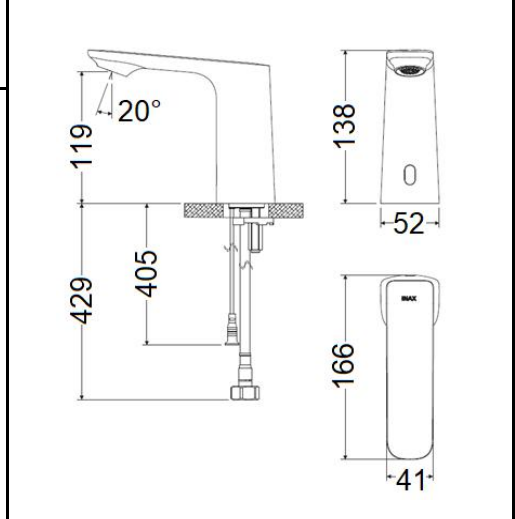
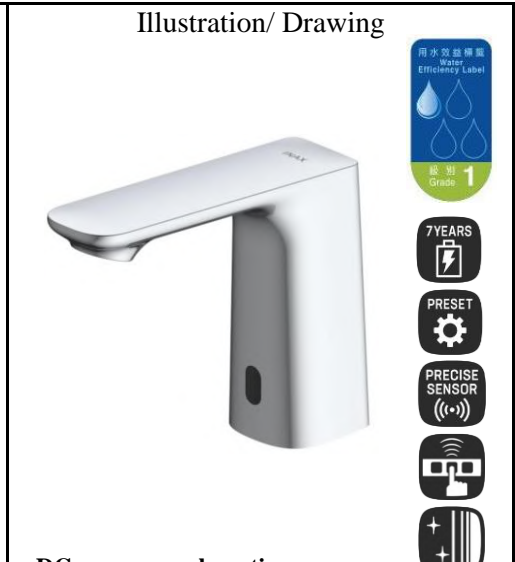




|          |  |      |  |     |           |  |
|----------|--|------|--|-----|-----------|--|
| PROJECT  |  | REF  |  | REV | ITEM CODE |  |
| LOCATION |  | DATE |  |     | PAGE      |  |

## SANITARY WARE SPECIFICATION SHEET

|                   |   |
|-------------------|---|
| Item Descriptions | Inax (Japan) "AutoSEnz" Deck mounted precise Infra-red sensor single tap; 6V DC battery operated up to 7 years battery life; 7 pre-set programs that combine cleaning mode, automatic flushing and thermal disinfection; remote controller in option; durable chrome finish for lasting shine and luster; nominated flow rate <b>1.2 L/min</b> in WELS <b>Grade 1</b> ; Registration No. TN 23-0003 |
| Dimensions        | L166 x W52 x H138 mm  |
| Model             | AMV-91 (Tap)<br>A-11333-VN (Battery Box)  |
| Material / Finish | Plated Nickel / Chromium  |
| Manufacturer      | Inax (Japan)  |
| Country of Origin | Vietnam   |
| Source            | Acme Sanitary Ware Co. Ltd<br>Mr. Eric Wong/ Mr. Don Yuen   |
| Contact Tel/Fax   | (852) 2388-7171 / (852) 2710-8012   |
| E-mail            | acme@acmesanitary.com.hk  |
| Website           | www.acmesanitary.com.hk   |



- Detail specifications:**
- **Not included Lithium Battery and drain pop-up**
  - Lithium battery Type : CR-P2
  - DC power supply: Nominal voltage : 6V
  - Power Save: Up to 7 years battery life based on 150/day
  - Pre-set Program: Ensure hygiene and easy maintenance with 7 pre-set programs that combine cleaning mode, automatic flushing and thermal disinfection.
    - Precise Sensor: Infrared technology ensures accurate sensing
    - for hands-free activation
    - Remote Controller (sold separately)
    - Remote control features an easy-to-read display and effortless operation
  - Shine Plus: Durable chrome finish for lasting shine and luster
  - The supply water pressure 0.1÷0.5Mpa.
  - The water supply pipe 1/2"
  - Reception range 12mm (7-20cm adjustable)
  - Automatic safety shut-off : 60s (6-420s adjustable)
  - Flow rate: ≤ 1.1l/min at 0.1 Mpa
  - LEED rating : 4 points ( ≤1.1l/min at 0.415Mpa)
  - Environment Temperature 10°C ~ 60°C

\* All information of the above is for the reference only. No prior notice is made if any changes.

註冊號碼 (Registration No.): TN 23-0003



自願參與用水效益標籤計劃 - 水龍頭  
Voluntary Water Efficiency Labelling Scheme - Water Taps


Certificate of Registration  
註冊證書



茲證明  
This is to certify that

將下列水龍頭在本計劃內註冊：  
has registered the following water tap under this scheme :

|                                |   |                                    |
|--------------------------------|---|------------------------------------|
| 牌子 / Brand                     | : | INAX                               |
| 型號 / Model                     | : | AMV-91 + M148F8                    |
| 種類 / Type                      | : | Non-mixing                         |
| 原產地 / Country or Region Origin | : | Vietnam<br>(Tap & Flow Controller) |

|   |   |   |                                |
|---|---|---|--------------------------------|
| 在用水效益標籤上展示的標誌<br><i>Symbolic Presentation on the Water Efficiency Label</i> | : |  | 滴水點<br><i>Water droplet(s)</i> |
| 用水效益級別<br><i>Water Efficiency Grade</i>                                     | : | 1   | with additional merit*         |
| 耗水量<br><i>Water Consumption</i>   | : | 1.2   | 公升/分鐘<br><i>litres/minute</i>  |

\*with additional merit of "Automatic closing mechanism"

簽發日期 : 31 January 2023  
Date of Issue :

 水務署  
Water Supplies Department



水務署署長(林麗恒代行)  
for Director of Water Supplies



### **Attention:**

- Prevent danger resulting from damaged voltage supply cables. If damaged, the voltage supply cable must be replaced by the manufacturer or his customer service department.
- Only install indoors, in a dry place, avoid direct contact with water and sunshine.
- Use only INAX's genuine replacement parts and accessories.
- The use of other parts will result in the voiding of the warranty and could lead to injuries.

### **Technical data:**

- Switched-mode power supply:
  - In-put : 100-240 VAC, 50-60 Hz
  - Out-put : 6.75 VDC, 2.4W
  - Protection class : IP40
- Lithium battery:
  - Voltage : 6 VDC
  - Type : CR-P2
  - Protection class : IP59K
- IR sensor (default):
  - Reception range : 12cm
  - Run-on time : 1 second
  - Automatic safety shut-off : 60 seconds

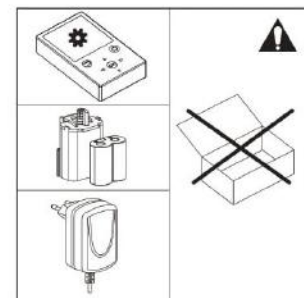
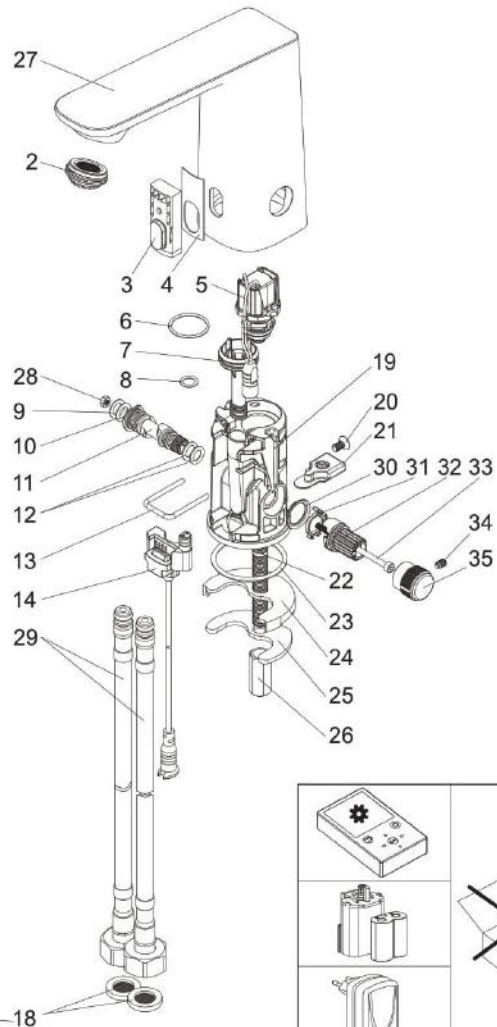
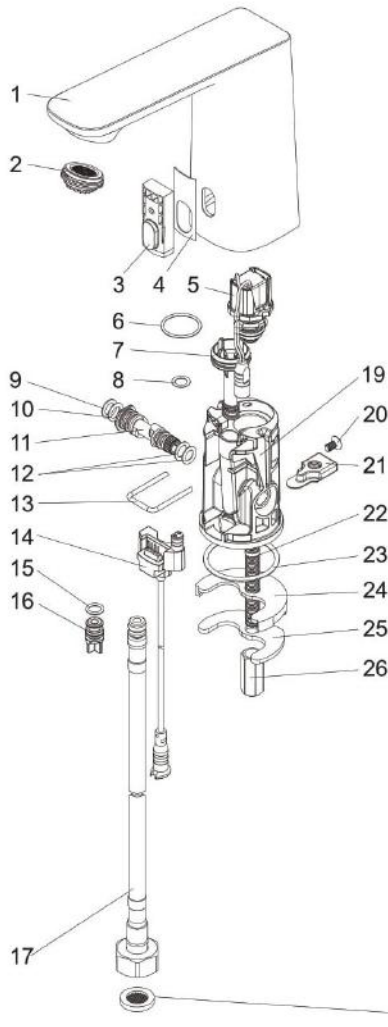
| <b>Fault</b>   | <b>Cause</b>  | <b>Remedy</b>   |
|--|---|---|
| Water not flowing.   | <ul style="list-style-type: none"> <li>• Filter blocked.</li> <li>• Solenoid valve defective.</li> <li>• Plug-in connector without contact.</li> <li>• No voltage.               <ul style="list-style-type: none"> <li>- Battery discharged. (indicator lamp lights up continuously).</li> <li>- Power supply unit defective.</li> </ul> </li> </ul> | <ul style="list-style-type: none"> <li>• Clean filter.</li> <li>• Replace solenoid valve.</li> <li>• Check plug-in connector electronics and solenoid valve.               <ul style="list-style-type: none"> <li>- Replace battery.</li> <li>- Replace power supply unit.</li> </ul> </li> </ul> |
| Undesired water flow.  | <ul style="list-style-type: none"> <li>• Sensor system detection zone set too high for local conditions.</li> <li>• Automatic flushing activated.</li> <li>• Solenoid valve defective.</li> </ul>   | <ul style="list-style-type: none"> <li>• Reduce range using remote control (special accessory).</li> <li>• Wait 1 - 10 minutes.</li> <li>• Replace solenoid valve.</li> </ul>   |
| Flow rate too low.   | <ul style="list-style-type: none"> <li>• Aerator dirty.</li> <li>• Filter dirty.</li> <li>• Non-return valve defective.</li> </ul>  | <ul style="list-style-type: none"> <li>• Clean or replace aerator.</li> <li>• Clean filter.</li> <li>• Replace the non-return valve.</li> </ul>   |
| The outlet water temperature is not as hot/cold as expected. | There is a big deviation between hot and cold inlet water pressure.   | Balance pressure of inlet hot and cold water, should not deviate more than 0.5 bar.   |





## AMV-91

## AMV-91K



| No. | Name           | SAP code    | AMV-91 | AMV-91K |
|-----|----------------|-------------|--------|---------|
| 1   | Mono body      | F00B2626-40 | 01     | —       |
| 2   | Aerator        | M148F8      | 01     | 01      |
| 3   | IR-sensor      | M1400D      | 01     | 01      |
| 4   | Self adhesive  | M1400E      | 01     | 01      |
| 5   | Solenoid Valve | M148F3      | 01     | 01      |
| 6   | O-ring         | M1452K      | 01     | 01      |
| 7   | Tube           | M14461      | 01     | 01      |
| 8   | O-ring         | M1452L      | 01     | 01      |
| 9   | O-ring         | M1452O      | 01     | 01      |
| 10  | O-ring         | M1452N      | 01     | 01      |
| 11  | Shaft          | M14165      | 01     | 01      |
| 12  | O-ring         | M1452M      | 02     | 02      |
| 13  | Clip           | M1452R      | 01     | 01      |
| 14  | Plug unit      | M148F4      | 01     | 01      |
| 15  | O-ring         | M1452J      | 01     | —       |
| 16  | Drain plug     | M1400F      | 01     | —       |
| 17  | Flexible hose  | M148A8      | 01     | —       |
| 18  | Filter Packing | M14578      | 01     | 02      |

|    |                 |             |     |    |
|----|-----------------|-------------|-----|----|
| 19 | Plastic body    | M1491B      | 01  | 01 |
| 20 | Bolt            | M14462      | 01  | 01 |
| 21 | Holder          | M1452Q      | 01  | 01 |
| 22 | Fix bolt        | M14378      | 01  | 01 |
| 23 | O-ring          | M1452P      | 01  | 01 |
| 24 | Washer          | M14575      | 01  | 01 |
| 25 | Packing         | M14515      | 01  | 01 |
| 26 | Fix nut         | F0371462-21 | 01  | 01 |
| 27 | Mixer body      | F00B2625-40 | —   | 01 |
| 28 | Nut             | M14382      | —   | 01 |
| 29 | Flexible hose   | M148G1      | —   | 02 |
| 30 | Sleeve          | M1452S      | —   | 01 |
| 31 | Adjustment ring | M14727      | —   | 01 |
| 32 | Adapter         | M1400H      | —   | 01 |
| 33 | Bolt            | M14383      | —   | 01 |
| 34 | Bolt            | M14384      | —   | 01 |
| 35 | Knob            | F0611450-40 | --- | 01 |



水務署  
Water Supplies Department

總部 Headquarters

香港入境事務大樓 48 樓  
48 Gloucester Road, Wan Chai, Hong Kong



本署檔號  
Our ref.  
來函檔號  
Your ref.

(2) T/J(1332/2022)

電話  
Tel.  
傳真  
Fax. : 2824 0578

16 December 2022



**Approval of “INAX” Sensor Tap  
(General Acceptance No. C20221148)**

Your letter ref. WRC/2814 dated 28 November 2022 refer.

Having considered the test report ref. 221005PC220099 issued on 10 October 2022 by Fugro Technical Services Ltd., this Authority accepts that the fitting described below complies with, and its use when correctly installed does not contravene, the Waterworks Ordinance and Regulations.

**Name of Manufacturer:** Branch of Lixil Vietnam Corporation in Quang Nam  
**Country of Origin:** Vietnam  
**Brand:** INAX  
**Details of Fitting:** 1/2" Deck mounted sensor tap  
**Model:** AMV-91  
**Body Markings:** **INAX**  
**Expiry Date:** 23 June 2027



This Authority hereby permits the use of the above fitting in fresh water plumbing systems subject to full adherence to Waterworks installation requirements. In particular, you are required to draw your customers' attention to the following requirement-

"A stop cock or gate valve must be installed at the upstream of the fitting for manual isolation of water supply." AND

"The main voltage operated sensor valve should comply with the electricity safety regulation for applications in bathroom, toilet etc."

A condition of this acceptance is that the fitting to be installed shall be replicas of the sample as certified by the testing agent mentioned above and without modifications. This acceptance may be withdrawn at any time if the standard of the fitting installed fails to meet that of the approved sample or if the fitting is found to be unsuitable for use in fresh water plumbing systems.

This acceptance is only applicable to the main body of the fitting, unless otherwise specified.

For the use of the fitting in any project, the General Acceptance Number of this letter must be quoted as a means of identification of acceptance of the fitting by this Authority.

Should you have any enquiries, please contact our Engineer Ms Winnie LO at tel. no. 3583 4086.

Yours faithfully,



(YAU Hau Yin)

for Director of Water Supplies

Encl.

c.c. WSD 3321/1/82 ] - without catalogue  
ME/MC ] - with soft copy only



|          |  |      |  |     |           |  |
|----------|--|------|--|-----|-----------|--|
| PROJECT  |  | REF  |  | REV | ITEM CODE |  |
| LOCATION |  | DATE |  |     | PAGE      |  |

## SANITARY WARE SPECIFICATION SHEET

|  |  |  |
|--|--|--|
| <p>Item Descriptions</p> <p>Dimensions</p> <p>Model</p> <p>Material</p> <p>Manufacturer</p> <p>Country of Origin</p> <p>Source</p> <p>Contact Tel/Fax</p> <p>E-mail</p> <p>Website</p> | <p>INAX (Japan) Stainless steel braided inlet flexible hose</p> <p>Refer to drawing</p> <p>A-10920-VN</p> <p>Stainless Steel/ PEX /CW617N</p> <p>Inax (Japan)</p> <p>Vietnam</p> <p>Acme Sanitary Ware Co. Ltd<br/>Mr. Eric Wong/ Mr. Don Yuen</p> <p>(852) 2388-7171 / (852) 2710-8012</p> <p>acme@acmesanitary.com.hk</p> <p>www.acmesanitary.com.hk</p> | <p style="text-align: center;">Illustration/ Drawing</p> <div style="text-align: center;"> </div> <div style="text-align: center;"> </div> <div style="position: absolute; top: 50%; left: 70%; width: 20%; font-size: small;"> <p>Nipple<br/>Material:<br/>CW617N</p> <p>Hose<br/>External Material:<br/>stainless steel<br/>Internal Material:<br/>PEX</p> <p>Nipple<br/>Material:<br/>CW617N</p> </div> <div style="text-align: center; margin-top: 20px;"> <p>Bore Diameter: DN8<br/>       End Connection Size: G1/2<br/>       Length: 350-600 mm</p> </div> |
|--|--|--|

Note:

*\* All information of the above is for the reference only. No prior notice is made if any changes.*





水務署  
Water Supplies Department

總部 Headquarters

香港灣仔告士打道七號入境事務大樓 48 樓

48/F, Immigration Tower, 7 Gloucester Road, Wan Chai, Hong Kong



本署  
Our  
來  
You

3321/2022 T/J(1139/2022)

電話

Tel.

傳真

Fax.

: 2824 0578

17 November 2022



Dear Sir,

**Approval of "INAX" Flexible Hose  
(General Acceptance No. C20221072)**

Your letter ref. WRC/2787 dated 27 September 2022 and subsequent submissions received by this department up to 3 November 2022 refer.

Having considered the test report ref. 202535EN220788A issued on 31 August 2022 by Fugro Technical Services Limited, this Authority accepts that the fitting described below complies with, and its use when correctly installed does not contravene, the Waterworks Ordinance and Regulations.

**Name of Manufacturer:** Branch of Lixil Vietnam Corporation in Quang Nam

**Country of Origin:** Vietnam

**Brand:** INAX

**Details of Fitting:** Stainless steel braided inlet flexible hose for tap/mixer

**Model:** A-10920-VN

**Size:** Bore diameter: 8mm  
End connection: 1/2"

**Body marking:** Nil





**Expiry Date:** 28 July 2027

This Authority hereby permits the use of the above fitting in fresh water plumbing systems subject to full adherence to Waterworks installation requirements. In particular, you are required to draw your customers' attention to the following requirement-

"The inlet flexible hose is applied for the water tap or mixer connection only and installed in the fresh water plumbing systems."

A condition of this acceptance is that the fitting to be installed shall be replicas of the sample as certified by the testing agent mentioned above and without modifications. This acceptance may be withdrawn at any time if the standard of the fitting installed fails to meet that of the approved sample or if the fitting is found to be unsuitable for use in fresh water plumbing systems.

For the use of the fitting in any project, the General Acceptance Number of this letter must be quoted as a means of identification of acceptance of the fitting by this Authority.

Should you have any enquiries, please contact our Engineer Ms Winnie LO at tel. no. 3583 4086.

Yours faithfully,



(YAU Hau Yin)

for Director of Water Supplies

Encl.

c.c. WSD 3321/1/82 ] - without catalogue  
ME/MC ] - with soft copy only